

DIGITAL

8.4 / 10.4-inch Color LCD
Echo Sounder / Broadband

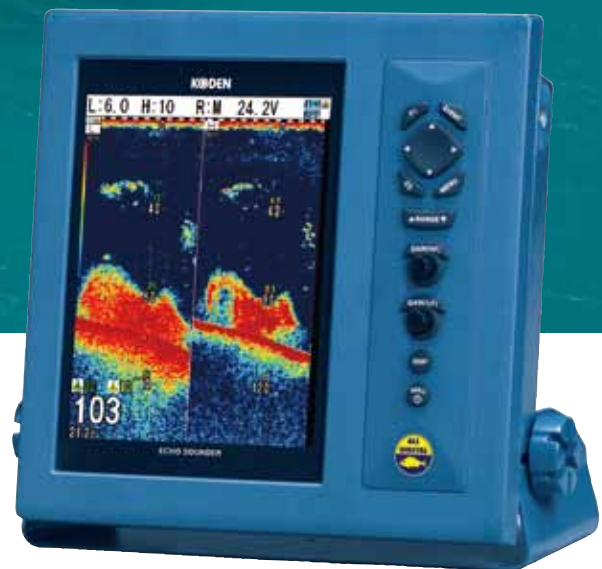
KODEN

CVS-128B / CVS-1410B

Find your best setting for your fishing



CVS-128B



CVS-1410B

Features

- ▶ Two types of the broadband transducer are available for your choice. Two optional frequencies can be selected and changed during use within the ranges below. This gives you an extraordinary maneuverability.
TDM-071: 38 to 75 kHz
TDM-091D: 42 to 65 kHz, 130 to 210 kHz
- ▶ Interference with other echo sounders can be avoided by adjusting frequencies to use.
- ▶ The Koden Digital Filtering (KDF™) technology has enabled low noise, high resolution and outstanding distance of detection.

SPECIFICATIONS

Model	CVS-128B	CVS-1410B
Output power (RMS)	2 kW	
Transducer (Output frequency)	TDM-071 (38 to 75 kHz) TDM-091D (42 to 65 kHz and 130 to 210 kHz)	
Selectable frequency range	24 to 210kHz 0.1kHz step	
Output method	Single or Alternate	
Display size and type	8.4 inch color TFT LCD	10.4 inch color TFT LCD
Display resolution	640 x 480 pixels (VGA)	
Basic ranges	2.5 to 1200 (m), 10 to 3600 (ft), 2.5 to 700 (fm / L fm) (8 ranges can be set to users choice)	2.5 to 2000 (m), 10 to 6000 (ft), 2.5 to 1100 (fm / L fm) (8 ranges can be set to users choice)
Zoom ranges	2.5 to 200 (m), 10 to 650 (ft), 2.5 to 150 (fm / l. fm)	
Range units	m, ft, fm, l.fm	
Shift step	1m, 10m, 1/8, 1/4	
Presentation modes	High frequency, Low frequency, Dual frequency, Zoom image (Bottom lock, Bottom discrimination, Bottom zoom, Zoom, Bottom follow zoom), Nav mode, Vertical split, Horizontal split A-scope can be displayed at all above modes	
Presentation colors	64 colors, 16 colors, 8 colors, Monochrome	
Back ground colors	Marine blue, Blue, Black, White, Nighttime color, Other 5 colors	
Alarms	Bottom, Fish, Temperature*, Speed**, Arrival***, XTE***	
Image speed	9 steps & stop	
Functions	Interference rejection, Color rejection, VRM, Noise rejection, White line, Draft correct, Water temperature correct, Boat speed correct, Store image (10 images), Sona-Tone™, Fishing Hot Spot, Event memory, Simple plotter, Panel illumination, Power reduction, External trigger, Fish information, Detection area display	
Auto functions	Gain, Range, Shift	
Language	Chinese, English, French, Greek, Italian, Japanese, Korean, Spanish, Thai	
Input data formats and sentences	NMEA0183 Ver.1.5 / 2.0 / 3.0 GGA, GLL, HDT, MTW, MWV, RMC, VHW, VTG, ZDA	
Output data formats and sentences	NMEA0183 Ver.2.0 (DBT : Ver.1.5) DBT, DPT, GGA, GLL, HDT, MTW, MWV, RMC, TLL, VHW, VTG, ZDA	
NMEA input / output port	1 (input / output 1)	
Power supply	10.8 to 31.2 VDC	
Power consumption	25 W or less (24 VDC)	30 W or less (24 VDC)

Environmental

Operating temperature -15°C to +55°C

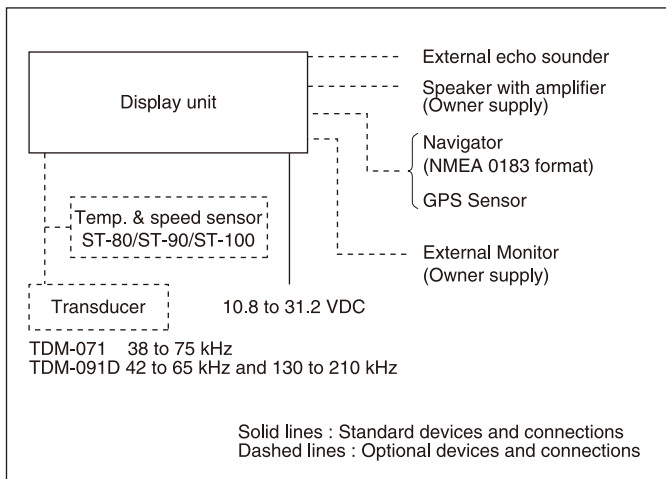
Water protection IPX5

* Requires data from Temp sensor

** Requires speed data from Speed sensor or GPS sensor

*** Requires data from GPS sensor

CONNECTIONS



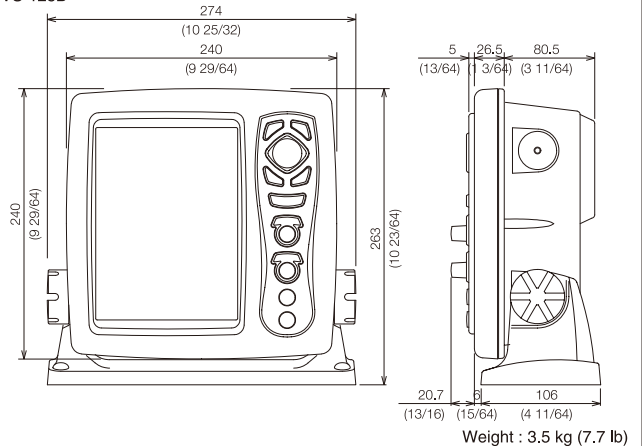
EQUIPMENT LIST

Standard equipment	Display unit with hard cover, Mounting bracket	1 set
	DC power cable, Spare parts Operation manual, Quick reference	1 set
Essential option	Transducer	1 set
Options	Temp. & speed sensor, Connection cables for external devices	

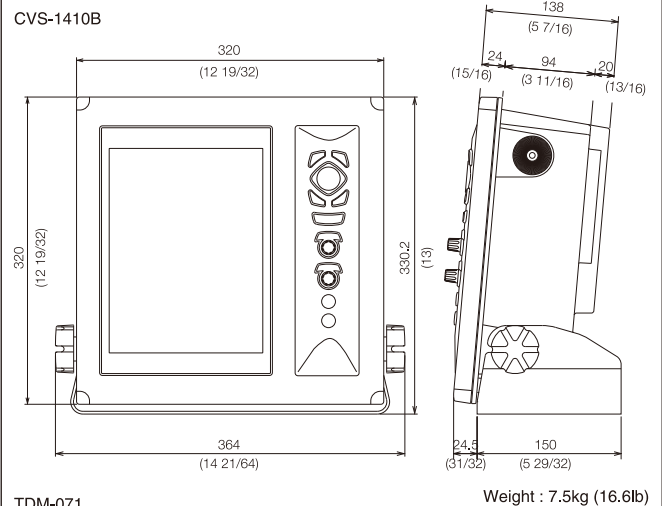
DIMENSIONS AND WEIGHT

Unit: mm (inch)

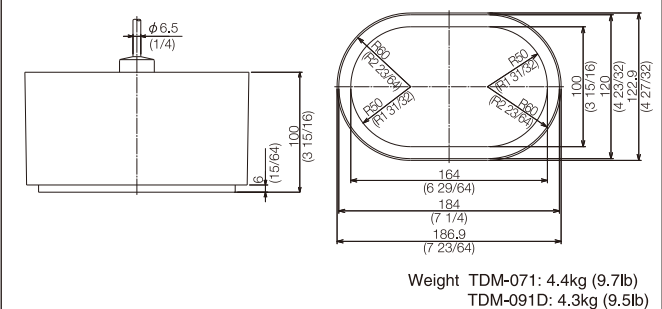
CVS-128B



CVS-1410B



TDM-071
TDM-091D



Le spécialiste des équipements électroniques

Zac de la plaine - 1, rue Brindejonn des Moulinais
31500 TOULOUSE
Tél : +33 (0)5 67 77 94 44 - Fax : +33 (0)5 67 77 94 49
info@pst-france.fr - www.pst-france.fr